



FEATURES

- High air flow rate with wide cooling effect
- Class B insulation (up to 130°C)
- Capable of continuous operation (24 hours)
- High efficiency with thermal fuse protection (Multiple times resettable-fuse)
- Motor suitable for heavy duty usage
- Voltage: 240V(220-240VAC)
- UK Three pin 13A plug provided
- Three speed variation with adjustable oscillating angle and height
- Chrome guard protection against corrosion
- International approval (SIRIM)

APPLICATIONS

Factories, Kitchen, Dust Blowing Purposes
Warehouse, Restaurant, etc.

Approved By:



SPECIFICATIONS

Model	Position 1 (1100rpm)				Position 2 (1250rpm)				Position 3 (1400rpm)			
	Amp (A)	Watt (W)	Noise (dB)	Air Flow (CFM)	Amp (A)	Watt (W)	Noise (dB)	Air Flow (CFM)	Amp (A)	Watt (W)	Noise (dB)	Air Flow (CFM)
TP-650S1-A240FC	0.54	130	55	4758	0.6	145	60	5639	0.71	170	68	6873
TW-650S1-A240FC	0.54	130	55	4758	0.6	145	60	5639	0.71	170	68	6873



FEATURES

- High efficiency motor (79.5% efficiency)
- Electrical commutation design motor for energy saving
- High air flow rate with wider cooling effect
- 3-D airflow blade with large airflow, soft wind and low noise
- 5 Speed options with adjustable oscillating angle and height
- Class B insulation motor (up to 130°C)
- Built-in Thermal Fuse (Multiple Reset)

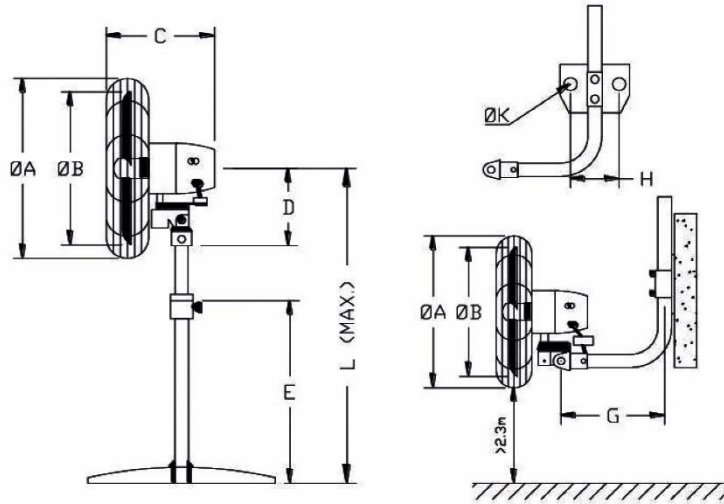
APPLICATIONS

Warehouse, factories, dust blowing purpose, restaurants..etc

SPECIFICATIONS

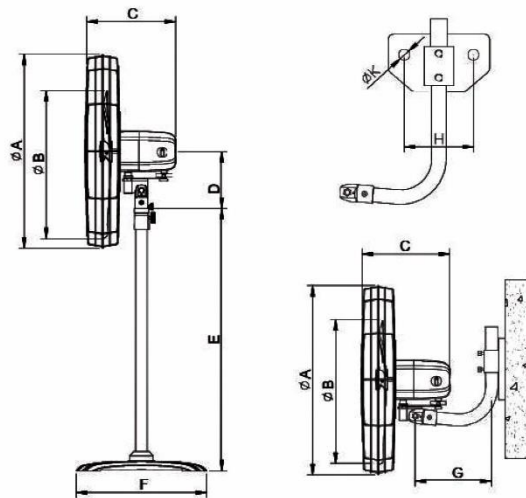
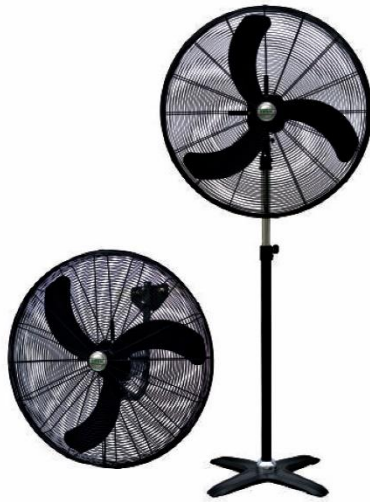
Model	Position 1 (700rpm)				Position 2 (900rpm)				Position 3 (1100rpm)			
	Amp (A)	Watt (W)	Noise (dB)	Air Flow (CFM)	Amp (A)	Watt (W)	Noise (dB)	Air Flow (CFM)	Amp (A)	Watt (W)	Noise (dB)	Air Flow (CFM)
TP-750S1-A240F	0.12	28	52	5650	0.20	48	58	7239	0.33	78	63	8828
TW-750S1-A240F	0.12	28	52	5650	0.20	48	58	7239	0.33	78	63	8828

Model	Position 4 (1300rpm)				Position 5 (1450rpm)			
	Amp (A)	Watt (W)	Noise (dB)	Air Flow (CFM)	Amp (A)	Watt (W)	Noise (dB)	Air Flow (CFM)
TP-750S1-A240F	0.52	125	68	10417	0.75	180	72	11654
TW-750S1-A240F	0.52	125	68	10417	0.75	180	72	11654



T-Series

Model	A	B	C	D	E	F	G	H	K	L
TP-650S1-A240FC	715	650	360	205	1045	610	-	-	-	1600
TW-650S1-A240FC	715	650	360	-	-	-	250	125	13	-



T-Series

Model	A	B	C	D	E	F	G	H	K
TP-750S1-A240F	815	750	350	205	970	632	-	-	-
TW-750S1-A240F	815	750	350	-	-	-	245	125	13.5