



2<sup>nd</sup> Edition

2023 / 2024

CONTENTS



01  
Ceiling  
Fans



20  
Auto  
Fan



21  
Commercial  
Wall Fans



22  
Wall  
Fan



25  
Glass Mounted  
Ventilating Fans

Wall Mounted  
Ventilating Fans

26



Ceiling Mounted  
Ventilating Fans

29



Ceiling Mounted Sirocco  
Ventilating Fans

30



Industrial  
Ventilating Fans

34



High Pressure Industrial  
Ventilating Fans

35



Accessories

38



## Safety Features For Ceiling Fans



### Safety Wire

Safety Wire secures the fan motor to the ceiling hook.



### Blade Safety Wire

(applicable to model: K12W0, K15W0, K15W0-S and K15W0-SL)

In the event of breakage of the blade frame, the Blade Safety Wire will hold the blade to the motor.



### Cut-off Safety Switch

Cut off power supply while detecting dangerous wear and tear of the shaft or bolt.



### Blade Safety Hanger

(applicable to model: K12V0, K12V0-PBR, K15V0, K15V0-PBR and K15VC)

In the event of breakage of the blade frame, the Blade Safety Hanger will hold the blade to the motor.

# Ceiling Fans

# REGULATOR CEILING FANS



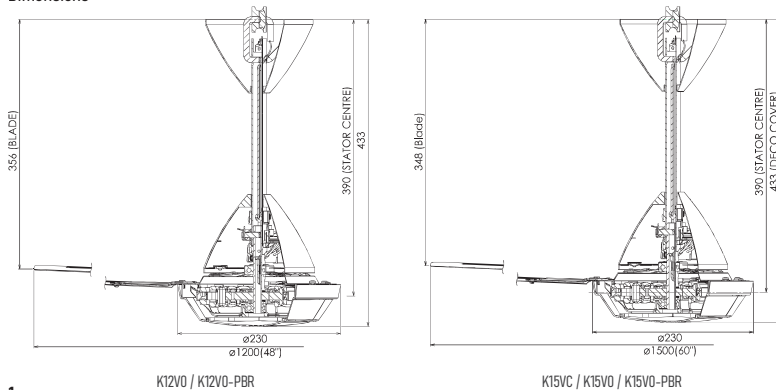
### Features

<b>Hexagon</b> decorative cover	<b>Embossed logo</b> deco cover	<b>Energy saving</b> condenser motor	<b>Meets C.O.P</b> (Co-Efficient of Performance) requirements
<b>Durable</b> metal blades	<b>Optional extended fan rod</b> (refer page 38)	<b>Preassembled fan rod</b> (applicable to K15VC)	<b>Comply with</b> <b>government project standard</b> (applicable to K15VC)

### Specifications

Model	Color	No. of Blade	Dimension	Energy Star Rating	RPM		Air Delivery (m <sup>3</sup> /min)	Motor W		Motor HP	Motor Type	Noise Level (dB)	Nett Weight (kg)
					Low	High		Low	High				
K12V0	White	3	48"/120cm	5	131	273-333	162	19	54	0.08	14 Pole Condenser	<58	4.60
K12V0-PBR	Brown				81-118	216-264		17	72				
K15VC	White	3	60"/150cm	5	81-118	216-264	230	17	72	0.10	14 Pole Condenser	<62	5.10
K15V0	White				81-118	216-264		17	72				
K15V0-PBR	Brown												

### Dimensions



1



# Ceiling Fans

# REGULATOR CEILING FANS



## Features

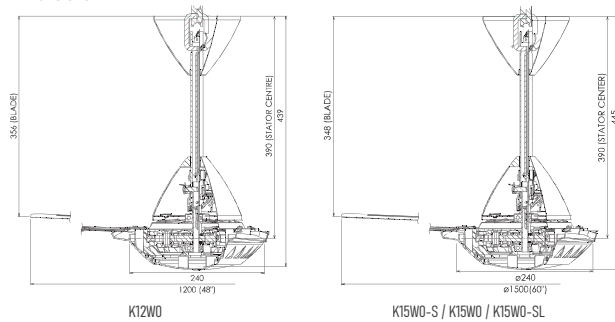
Treated with **double hybrid coating** treatment for added protection and reliability. It is ideal for coastal areas, where the air is salty and corrosive (Applicable to K15W0-S only)

<b>Energy saving</b> condenser motor	<b>Meets C.O.P</b> (Co-Efficient of Performance) requirements	<b>Durable</b> metal blades
---	--	--------------------------------

## Specifications

Model	Color	No. of Blade	Dimension	Energy Star Rating	RPM		Air Delivery (m <sup>3</sup> /min)	Motor W		Motor HP	Motor Type	Noise Level (dB)	Nett Weight (kg)
					Low	High		Low	High				
K12W0	Copper Brown	3	48"/120cm	5	131-177	273-333	162	15.1-20.5	47.7-58.3	0.08	14 Pole Condenser	-56	4.80
K15W0-S	White		60"/150cm		81-118	216-264		230	14.7-19.9			67.5-82.5	0.10
K15W0	Copper Brown												5.30
K15W0-SL	Silver												

## Dimensions



K15W0



K15W0-S



K15W0-SL



K12W0

# Ceiling Fans

# REMOTE CONTROL CEILING FANS



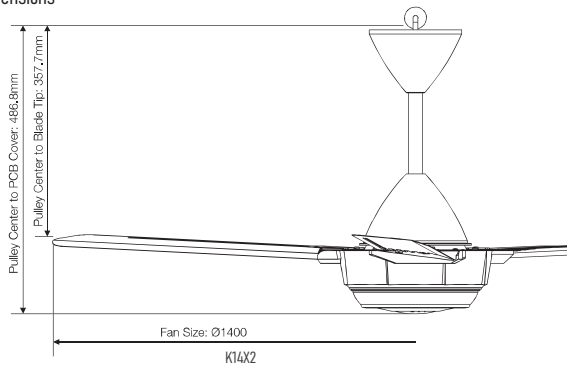
### Features

<b>Frameless</b> blade design	Remote control with <b>3 preset speed</b> , 1, 3, 6 hours <b>OFF</b> timer and sleep mode	<b>Durable</b> metal blades
----------------------------------	--	--------------------------------

### Specifications

Model	Color	No. of Blade	Dimension	Energy Star Rating	RPM		Air Delivery (m3/min)	Motor W		Motor HP	Motor Type	Noise Level (dB)	Nett Weight (kg)
					Low	High		Low	High				
K14X2	Grey	3	56" / 140cm	5	113	257	210	33.5	65	0.09	AC	51	5.30
K14X2-PBR	Brown												

### Dimensions



# Ceiling Fans

## BABY FAN SERIES



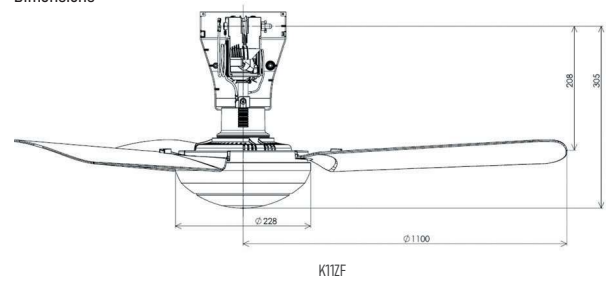
### Features

<b>Hook structure</b> installation	Remote control with <b>3 preset speed</b> , 1,3,6 hours timer and sleep mode	<b>PPG material blades</b> for better durability and anti rust
---------------------------------------	--	---

### Specifications

Model	Color	No. of Blade	Dimension	Energy Star Rating	RPM		Air Delivery (m3/min)	Motor W		Motor HP	Motor Type	Noise Level (dB)	Nett Weight (kg)
					Low	High		Low	High				
K11ZF-WT	White	3	44" / 110cm	5	133	239	170	20	58	0.077	AC	49.5	5.20
K11ZF-GY	Grey												

### Dimensions



K11ZF-WT



K11ZF-GY

# Ceiling Fans Z SERIES



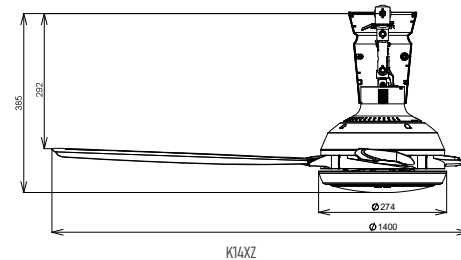
## Features

Remote control with <b>3 preset speed</b> , 1, 3, 6 hours <b>OFF</b> timer and sleep mode	<b>Strong and smooth</b> air breeze in silent operation
<b>Innovative design</b> with two colours option	<b>Durable</b> metal blades

## Specifications

Model	Color	No. of Blade	Dimension	Energy Star Rating	RPM		Air Delivery (m3/min)	Motor W		Motor HP	Motor Type	Noise Level (dB)	Nett Weight (kg)
					Low	High		Low	High				
K14XZ-GY	Grey	4	56" / 140cm	5	102	196	215	20	68	0.091	AC	51	7.00
K14XZ-PBR	Brown												

## Dimensions





# Ceiling Fans Z SERIES



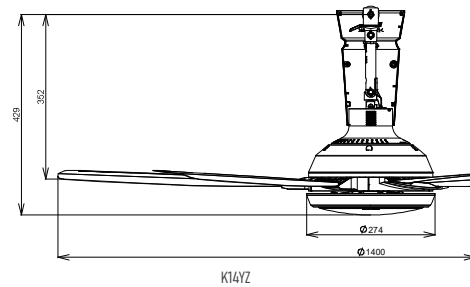
## Features

Remote control with <b>3 preset speed</b> , 1, 3, 6 hours <b>OFF</b> timer and sleep mode	<b>Strong and smooth</b> air breeze in silent operation
<b>Innovative design</b> with two colours option	<b>Durable</b> metal blades

## Specifications

Model	Color	No. of Blade	Dimension	Energy Star Rating	RPM		Air Delivery (m <sup>3</sup> /min)	Motor W		Motor HP	Motor Type	Noise Level (dB)	Nett Weight (kg)
					Low	High		Low	High				
K14YZ-GY	Grey	5	56" / 140cm	5	95	183	215	21	69	0.092	AC	51	7.60
K14YZ-PBR	Brown												

## Dimensions



# Ceiling Fans V-TOUCH® SERIES



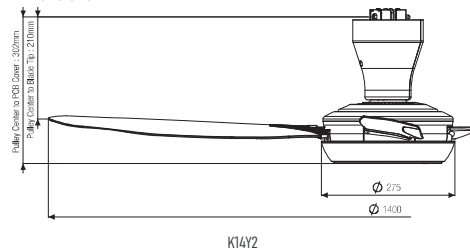
## Features

Remote control with <b>5 preset speed</b> , 3-6 hours sleep mode and 1-6 hours <b>OFF</b> timer		Equipped with <b>1/f Yuragi</b> feature (Natural Breeze)	
<b>Modern deco design</b> with Japan Film Injection Technology	<b>3D Aero Curve</b> blade design	<b>Distinctive blade material (PPG)</b> for better durability, rust and dent resistance	

## Specifications

Model	Color	No. of Blade	Dimension	Energy Star Rating	RPM		Air Delivery (m3/min)	Motor W		Motor HP	Motor Type	Noise Level (dB)	Nett Weight (kg)
					Low	High		Low	High				
<b>K14Y2</b>	Silver Grey	4	56" / 140cm	2	102	215	225	17.8	85	0.11	AC	52	6.40

## Dimensions



# Ceiling Fans V-TOUCH® SERIES



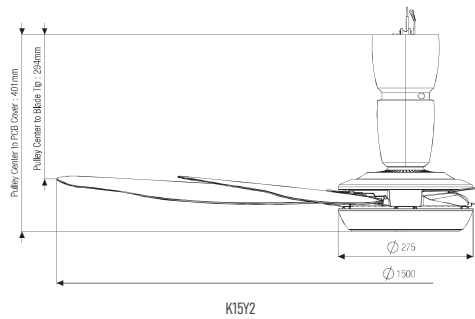
## Features

Remote control with <b>5 preset speed</b> , 3-6 hours sleep mode and 1-6 hours <b>OFF</b> timer		Equipped with <b>1/f Yuragi</b> feature (Natural Breeze)	
<b>Modern deco design</b> with Japan Film Injection Technology	<b>3D Aero Curve</b> blade design	<b>Distinctive blade material (PPG)</b> for better durability, rust and dent resistance	

## Specifications

Model	Color	No. of Blade	Dimension	Energy Star Rating	RPM		Air Delivery (m3/min)	Motor W		Motor HP	Motor Type	Noise Level (dB)	Nett Weight (kg)
					Low	High		Low	High				
K15Y2-CO	Copper Bronze	5	60" / 150cm	2	84	195	225	20.5	85	0.11	AC	48	7.40
K15Y2-GS	Silver Grey												

## Dimensions





# DC Series

# Ceiling Fans

# DC MOTOR REMOTE CONTROL CEILING FANS



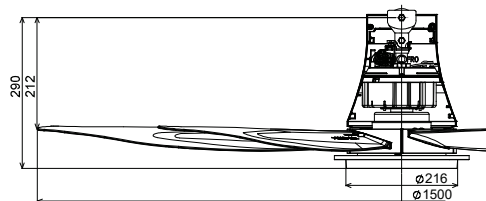
### Features

Remote control with <b>9 preset speed</b> , 2-8 hours sleep mode, 1-8 hours <b>OFF</b> and <b>ON</b> timer	<b>DC (Direct Current)</b> motor for energy saving	G geared up with <b>1/f Yuragi</b> feature (Natural Breeze)
<b>Built-in LCD screen</b> remote control	<b>Modernistic design</b> with short pipe of long pipe	<b>Distinctive blade material (PPG)</b> for better durability, rust and dent resistance

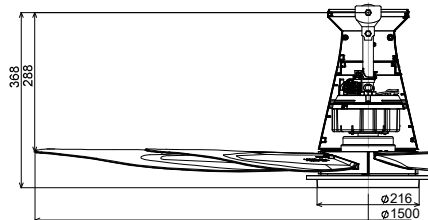
### Specifications

Model	Color	No. of Blade	Dimension	Energy Star Rating	RPM		Air Delivery (m <sup>3</sup> /min)	Motor W		Motor HP	Motor Type	Noise Level (dB)	Nett Weight (kg)
					Low	High		Low	High				
K15YX-QBR	Brown	5	60" / 150cm	5	80	235	245	3	41	0.055	DC	54	5.10
K15YX-RBR													

### Dimensions



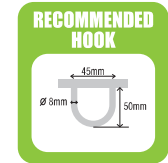
K15YX-QBR



K15YX-RBR



K15YX-RBR



K15YX-QBR

# Ceiling Fans DC4™ SERIES



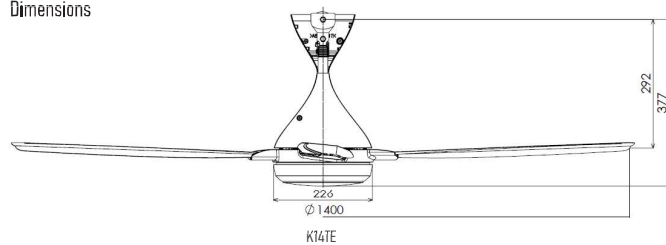
## Features

Remote control with <b>5 preset speed</b> , 3-6 hours <b>sleep mode</b> , 1-6 hours <b>OFF</b> timer		Geared up with <b>1/3 Yuragi</b> feature (Natural Breeze)	
Sleek design with <b>two colours</b> option	<b>DC (Direct Current)</b> motor for energy saving	<b>Durable</b> metal blade	Optional <b>extended fan rod</b> (Refer page 38)

## Specifications

Model	Color	No. of Blade	Dimension	Energy Star Rating	RPM		Air Delivery (m3/min)	Motor W		Motor HP	Motor Type	Noise Level (dB)	Nett Weight (kg)
					Low	High		Low	High				
K14TE-DG	Dark Grey	4	56" / 140cm	5	80	200	220	4	29	0.04	DC	54	5.10
K14TE-WT	White												

## Dimensions



K14TE-WT



K14TE-DG

# Ceiling Fans DC5™ SERIES



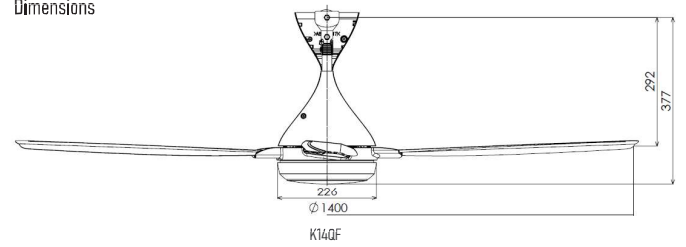
### Features

Remote control with <b>5 preset speed</b> , 3-6 hours <b>sleep mode</b> , 1-6 hours <b>OFF timer</b>		Geared up with <b>1/3 Yuragi</b> feature (Natural Breeze)	
Sleek design with <b>two colours</b> option	<b>DC (Direct Current)</b> motor for energy saving	<b>Durable</b> metal blade	Optional <b>extended fan rod</b> (Refer page 38)

### Specifications

Model	Color	No. of Blade	Dimension	Energy Star Rating	RPM		Air Delivery (m3/min)	Motor W		Motor HP	Motor Type	Noise Level (dB)	Nett Weight (kg)
					Low	High		Low	High				
K14QF-DG	Dark Grey	5	56" / 140cm	5	80	175	220	4	29	0.04	DC	54	5.70
K14QF-WT	White												

### Dimensions



# Ceiling Fans

# REMOTE CONTROL CEILING FANS WITH LED



### Features

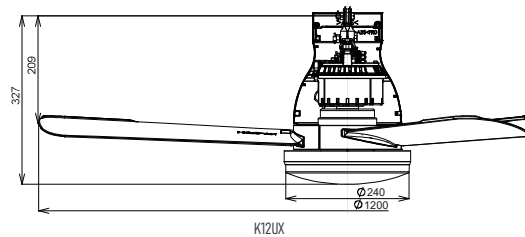
Remote control with <b>9 preset speed</b> , 2-8 hours sleep mode, 1-8 hours <b>OFF</b> and <b>ON</b> timer		LED Lighting comes with 3 level of <b>brightness control</b> dedicated for different needs and preference	<b>Distinctive blade material (PPG)</b> for better durability, rust and dent resistance
<b>DC (Direct Current)</b> motor for energy saving	Geared up with <b>1/7 Yuragi</b> feature (Natural Breeze)	<b>Built-in LCD screen</b> remote control	Suitable for <b>small and low ceiling room</b>

### Specifications

Model	Color	No. of Blade	Dimension	Energy Star Rating	RPM		Air Delivery (m3/min)	Motor W				Motor HP	Motor Type	Noise Level (dB)	Nett Weight (kg)
					Low	High		Fan Only		Fan & Light					
								Low	High	Low	High				
K12UX	Elegant Grey	3	48"/120cm	5	80	236	187	3.0	28.0	21.0	46.0	0.038	DC	50	4.90

Model	K12UX		
	High	Medium	Low
Brightness Control	150(x)	75(x)	3(x)
LED Colour	Cool Daylight		
Wattage	18W	9W	1W

### Dimensions





# Ceiling Fans

# REMOTE CONTROL CEILING FANS WITH LED



### Features

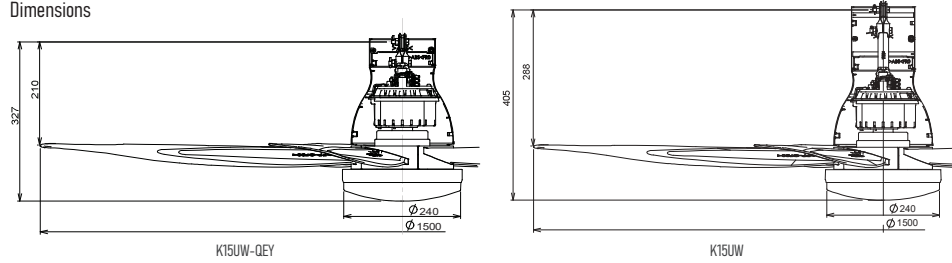
Remote control with <b>9 preset speed</b> , 2-8 hours sleep mode, 1-8 hours <b>OFF</b> and <b>ON</b> timer	LED Lighting comes with 3 level of <b>brightness control</b> dedicated for different needs and preference	<b>Modernistic design</b> with short pipe or long pipe	
<b>DC (Direct Current)</b> motor for energy saving	Geared up with <b>1/7 Yuragi</b> feature (Natural Breeze)	<b>Built-in LCD screen</b> remote control	<b>Distinctive blade material (PPG)</b>

### Specifications

Model	Color	No. of Blade	Dimension	Energy Star Rating	RPM		Air Delivery (m <sup>3</sup> /min)	Motor W				Motor HP	Motor Type	Noise Level (dB)	Nett Weight (kg)
					Low	High		Fan & Light							
								Low	High						
<b>K15UW-QEY</b>	Elegant Grey	5	60"/150cm	5	80	235	245	3.0	41.0	25.0	63.0	0.055	DC	53	6.00
<b>K15UW</b>															6.20

Model	K15UW-QEY / K15UW		
	High	Medium	Low
<b>Brightness Control</b>	200(x)	150(x)	3(x)
<b>LED Colour</b>	White	Cool Daylight	Warm
<b>Wattage</b>	22W	18W	18W

### Dimensions



# Ceiling Fans SENSA<sup>®</sup> SERIES



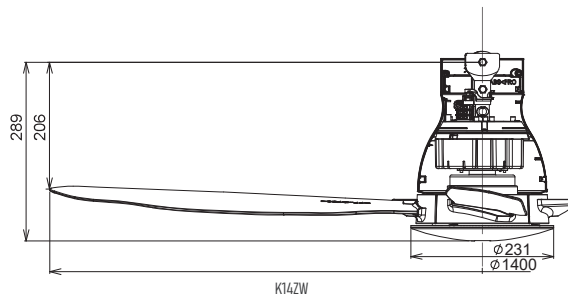
## Features

Remote control with <b>9 preset speed</b> , 2-8 hours sleep mode, 1-8 hours <b>OFF</b> and <b>ON</b> timer	<b>DC (Direct Current)</b> motor for energy saving	G geared up with <b>1/f Yuragi</b> feature (Natural Breeze)
<b>Temperature sensor</b> equipped	<b>Built-in LCD screen</b> remote control	<b>Distinctive blade</b> material (PPG)

## Specifications

Model	Color	No. of Blade	Dimension	Energy Star Rating	RPM		Air Delivery (m <sup>3</sup> /min)	Motor W		Motor HP	Motor Type	Noise Level (dB)	Nett Weight (kg)
					Low	High		Low	High				
K14ZW	Elegant Grey	4	56" / 140cm	5	81	239	225	2.5	41	0.055	DC	51	4.90

## Dimensions



# Ceiling Fans SENSA® SERIES



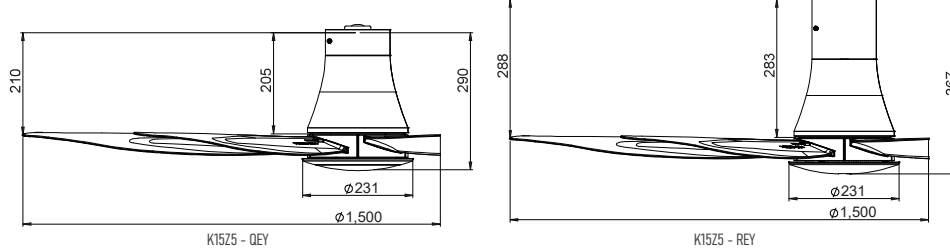
## Features

Remote control with <b>9 preset speed</b> , 2-8 hours sleep mode, 1-8 hours <b>OFF</b> and <b>ON</b> timer		<b>DC (Direct Current)</b> motor for energy saving		Geared up with <b>1/fYuragi</b> feature (Natural Breeze)	
<b>Temperature sensor</b> equipped	<b>Modernistic design</b> with short pipe or long pipe	<b>Built-in LCD screen</b> remote control	<b>Distinctive blade material (PPG)</b>		

## Specifications

Model	Color	No. of Blade	Dimension	Energy Star Rating	RPM		Air Delivery (m3/min)	Motor W		Motor HP	Motor Type	Noise Level (dB)	Nett Weight (kg)
					Low	High		Low	High				
K15Z5-QEY	Elegant Grey	5	60" / 150cm	5	80	235	245	3	41	0.055	DC	54	5.10
K15Z5-REY													5.30

## Dimensions



# Ceiling Fans NODOKA® SERIES



## Features

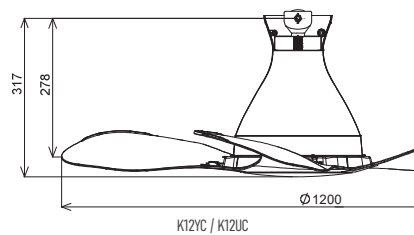
<b>New Generation DC</b> (direct current) motor for better air delivery and performance	<b>Intelligent Motor Drive System (IMDS)</b> for motor faulty detection	Remote control with <b>10 preset speed</b>	<b>Scene setting</b> can be preset 4 light settings for daily activities (Applicable to K12UC only)
<b>Wi-Fi Smart control</b> with 24 hours <b>sleep mode</b> , 24 hours <b>ON/OFF timer</b> and <b>1/f Yuragi</b> (natural breeze) function		<b>Schedule function</b> is set to perform preferred fan speed, ON/OFF timer and other features based on individual preference	
<b>Reverse function</b> drives the cool air upward and circulate the airflow evenly in comfortable temperature	Stepless control of <b>LED brightness and color</b> (Applicable to K12UC only)	<b>Compatible Device:</b> Android 6.0 or above and iOS 12.0 or above	<b>Distinctive blade material (ABS Glass Fibre)</b>

## Specifications

Model	Color	No. of Blade	Dimension	Energy Star Rating	RPM				Air Delivery (m3/min)	Motor W				Motor HP	Motor Type	Noise Level (dB)	Nett Weight (kg)
					Forward		Reverse			Fan Only		Fan & Light					
					Low	High	Low	High		Low	High	Low	High				
K12YC	Matte Grey	3	48"/120cm	5	55	170	55	170	200	3	31	-	-	0.042	DC	41	4.90
K12UC									200	3	31	22	50			41	5.20

Model	K12UC								
LED Color	Mix (White + Warm)		White		Warm		Night Light (Warm)		
Range	MIN	MAX	MIN	MAX	MIN	MAX	Low	Medium	High
Brightness Control	23(lx)	200(lx)	26(lx)	150(lx)	26(lx)	150(lx)	0.15(lx)	0.6(lx)	1.1(lx)
Wattage (LED Only)	1.9W	19W	2.1W	15W	2.1W	15W	0.2W	0.3W	0.4W

## Dimensions



# Ceiling Fans NODOKA® SERIES



## Features

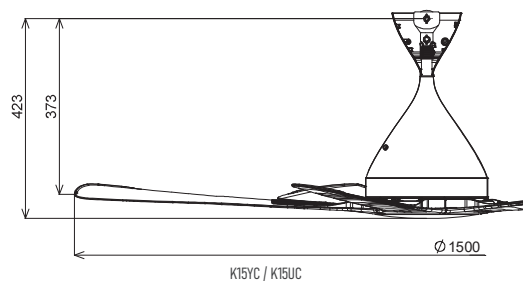
<b>New Generation DC</b> (direct current) motor for better air delivery and performance	<b>Intelligent Motor Drive System (IMDS)</b> for <b>motor faulty</b> detection and <b>blade faulty</b> detection	Remote control with <b>10 preset speed</b>	<b>Scene setting</b> can be preset 4 light settings for daily activities (Applicable to K15UC only)
<b>Wi-Fi Smart control</b> with 24 hours <b>sleep mode</b> , 24 hours <b>ON/OFF timer</b> and <b>1/fYuragi</b> (natural breeze) function		<b>Schedule function</b> is set to perform preferred fan speed, ON/OFF timer and other features based on individual preference	
<b>Reverse function</b> drives the cool air upward and circulate the airflow evenly in comfortable temperature	Stepless control of <b>LED brightness and color</b> (Applicable to K15UC only)	<b>Compatible Device:</b> Android 6.0 or above and iOS 12.0 or above	<b>Distinctive blade material (ABS Glass Fibre)</b>

## Specifications

Model	Color	No. of Blade	Dimension	Energy Star Rating	RPM				Air Delivery (m3/min)	Motor W				Motor HP	Motor Type	Noise Level (dB)	Nett Weight (kg)
					Forward		Reverse			Fan Only		Fan & Light					
					Low	High	Low	High		Low	High	Low	High				
K15YC	Pearl White	5	60*/150cm	5	80	245	80	255	300	4	54	-	-	0.073	DC	59	7.00
K15UC									300	4	54	23	73			59	7.30

Model	K15UC								
LED Color	Mix (White + Warm)		White		Warm		Night Light (Warm)		
Range	MIN	MAX	MIN	MAX	MIN	MAX	Low	Medium	High
Brightness Control	23(lx)	200(lx)	26(lx)	150(lx)	26(lx)	150(lx)	0.15(lx)	0.6(lx)	1.1(lx)
Wattage (LED Only)	1.9W	19W	2.1W	15W	2.1W	15W	0.2W	0.3W	0.4W

## Dimensions



# Ceiling Fans MOSHON® SERIES



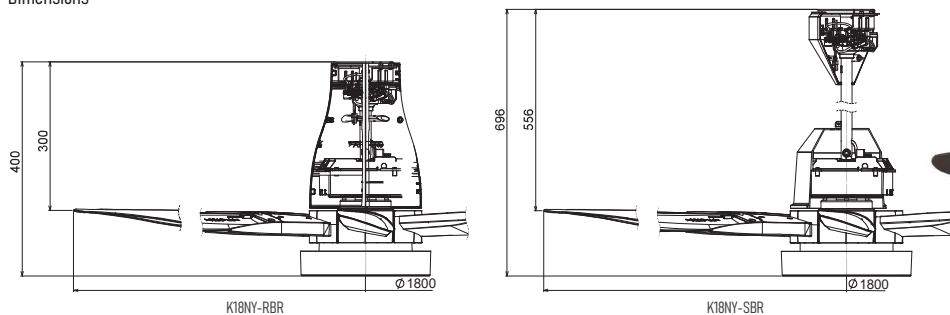
## Features

Remote control with <b>9 preset speed</b> , 2-8 hours sleep mode, 1-8 hours <b>OFF</b> and <b>ON</b> timer	<b>Twin DC (Direct Current)</b> motor for energy saving	Gear up with <b>1/fYuragi</b> feature (Natural Breeze)
<b>Ball-joint installation</b> (no hook required)	<b>Motion Sensor</b> equipped	Preset <b>fan speed memory</b> function
<b>Modernistic design</b> with short pipe of long pipe	<b>Distinctive blade material (PPG)</b>	Optional <b>extended fan rod</b> (Applicable to K18NY-SBR only. Refer page 38)

## Specifications

Model	Color	No. of Blade	Dimension	Energy Star Rating	RPM		Air Delivery (m3/min)	Motor W		Motor HP	Motor Type	Noise Level (dB)	Nett Weight (kg)
					Low	High		Low	High				
K18NY-RBR	Dark Brown	6	70" / 180cm	5	80	185	325	6	55	0.074	DC	54	11.70
K18NY-SBR													

## Dimensions



K18NY-SBR (Moshon®)



K18NY-RBR (Moshon®)

# Auto Fan



## Features

<b>360° oscillation</b>	<b>Easy adjustment angle</b> 15°, 30° and 50°
<b>Condenser motor</b> with ball bearing	<b>5 speed</b> electronic regulator

## Specifications

Model	Color	Dimension	Energy Star Rating	RPM		Air Delivery (m3/min)	Motor W		Motor HP	Motor Type	Noise Level (dB)	Nett Weight (kg)
				Low	High		Low	High				
KQ409	White	16" / 40cm	5	568-694	1089-1331	85	18.3-22.4	46.8-57.2	0.08	14 Pole Condenser	<60	3.90



KQ409

# Commercial Wall Fans



## Features

3 speed <b>ON/OFF</b> pull switch	<b>Full automatic oscillation</b>	<b>Aluminium blade</b> for stronger airflow and durability
<b>Turbo Fin Guard</b> design generates strong and focus airflow up to 10 meter distance	<b>Front Guard Locking System</b> for safety purpose	Added <b>angle adjust bolt</b> for extra stability on the fan's knee joint

## Specifications

Model	Color	Dimension	RPM		CFM	Motor W		Motor HP	Motor Type	Noise Level (dB)	Nett Weight (kg)
			Low	High		Low	High				
KU50Y	White	20"/ 50cm	940	1280	3885	60	70	0.094	14 Pole Condenser	59	6.00
KU50Y-DG	Dark Grey										



KU50Y



KU50Y-DG



# Wall Fans

# WALL FANS WITH PULL CORD



### Features

<b>Slim body</b> with honeycomb design panel	<b>3 speed ON/OFF pull switch</b>	<b>Full automatic oscillation</b>
<b>Flexible neck adjustment</b>	<b>Silver color metal blade</b> for better durability (Applicable to KV408 only)	<b>Additional safety screw</b>

### Specifications

Model	Color	Dimension	Energy Star Rating	RPM		Air Delivery (m <sup>3</sup> /min)	Motor W		Motor HP	Motor Type	Noise Level (dB)	Nett Weight (kg)
				Low	High		Low	High				
KU308	White	12"/30cm	4	871-1065	1158-1416	45	30.0-36.6	39.8-48.6	0.07	14 Pole Condenser	< 50	3.30
KU408		16"/40cm	5	774-946	1103-1349	63	38.9-47.5	49.9-60.9	0.08		< 60	4.45
KU408 YG	Grey		839-1025	1135-1387	63	38.3-46.8	48.2-59.0	0.09	< 60	4.55		
KV408			730-892	961-1175	95	41.6-50.8	54.2-66.3					
KU453	White	18"/45cm										5.00



KU308



KU408



KU408 YG



KV408



KU453

## Wall Fans

# REMOTE CONTROL WALL FAN



### Features

Full function remote control with **ON/OFF timer**, 3 speed control, timer setting and oscillation control

**Condenser motor** with ball bearing

**Manual ON/OFF** and **oscillation control** available

### Specifications

Model	Color	Dimension	Energy Star Rating	RPM		Air Delivery (m3/min)	Motor W		Motor HP	Motor Type	Noise Level (dB)	Nett Weight (kg)
				Low	High		Low	High				
KC-4GR	Black	16" / 40cm	5	774-946	1103-1349	63	43.0-52.7	53.4-65.2	0.09	14 Pole Condenser	<60	4.60



KC-4GR



# Ventilating Fans

# Glass Mounted Ventilating Fans



## Features

<b>Improved high performance</b> condenser motor with long life bearing	<b>Advanced blade design</b> for high air volume and low noise level	<b>Low power consumption</b>
<b>Strengthen Shutter Structure</b> for better durability	<b>Installed directly</b> into the glass window (window panel thickness from 3mm-7mm)	<b>Cord operated shutter</b>

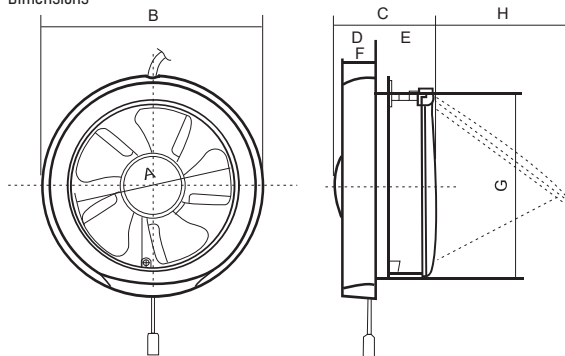
## Specifications

Model	Dimension	RPM	CFM	Motor Rating	Motor W	Motor Type	Noise Level (dB)	Nett Weight (kg)
15WUD	6"/15cm	1463	124	220-240V, 50Hz	8	Condenser	35	0.90
20WUD	8"/20cm	1042	212		16		32	1.10

## Dimensions (mm)

Model	A	B	C	D	E	F	G	H
15WUD	ø 150	ø 210	97	43	54	37.4	177	149
20WUD	ø 200	ø 271	98	36	62	36	237	201

## Dimensions



15WUD / 20WUD

# Wall Mounted Ventilating Fans



## Features

<b>High efficiency</b> for air flow and energy saving		<b>Ball bearing motor</b> for smooth rotation and excellent durability	
<b>Quiet operation</b>	<b>Automatic shutter</b>	<b>Excellent for small room</b> (Applicable to 15AAQ1)	

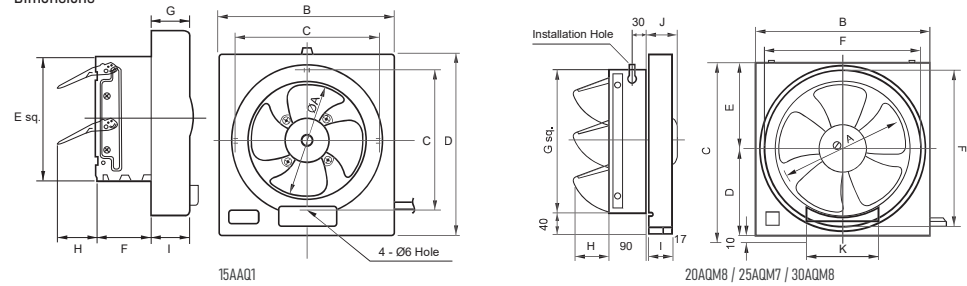
## Specifications

Model	Dimension	RPM	CFM	Motor Rating	Motor W	Motor HP	Motor Type	Noise Level (dB)	Nett Weight (kg)
15AAQ1	6" / 15cm	1480	170	220-240V, 50Hz	15	-	Condenser	31	1.40
20AQM8	8" / 20cm	1109-1301	318		14.9-18.3	0.02	4 Pole Condenser	37	2.30
25AQM7	10" / 25cm	999-1221	530		25.2-30.8	0.03		39	2.60
30AQM8	12" / 30cm	925-1085	727		31.8-38.8	0.05		45	3.00

## Dimensions (mm)

Model	A	B	C	D	E	F	G	H	I	J	K
15AAQ1	150 dia.	240	195	254	170	75	55	54	52	-	-
20AQM8	200 dia.	300	310	160	150	260	240	83	45	68	140
25AQM7	250 dia.	350	360	185	175	310	290	65	40	48	150
30AQM8	300 dia.	400	410	210	200	360	340	81			160

## Dimensions



15AAQ1



20AQM8 / 25AQM7 / 30AQM8

# Wall Mounted Ventilating Fans

\* While stocks last



## Features

**Advance aerodynamic blade design** minimizes any obstacle against the airflow

<b>Improved high performance</b> condenser motor with long life bearing	<b>Energy saving</b>	<b>Automatic shutter</b>
<b>Curve shape front louver design</b> for better outlook and safety (Applicable to 20ALH and 25ALH)	<b>Aluminium punching filter</b> with non-stick coating provides easy maintenance (Applicable to 25AUFA)	<b>Oil deposition.</b> Oil indicator on oil contain shows deposited oil in level (Applicable to 25AUFA)

## Specifications

Model	Dimension	RPM	CFM	Motor Rating	Motor W	Motor Type	Noise Level (dB)	Nett Weight (kg)
20ALH	8" / 20cm	1210	321	220-240V, 50Hz	22	Condenser	40	2.20
25ALH	10" / 25cm	1055	491		29		43	2.70
25AUFA	10" / 25cm	1100			34	HP	42	2.80

## Dimensions (mm)

Model	A	B	C	D	E	F	G	H
20ALH	200	306	260	302	240	88	90	80
25ALH	250	356	310	352	290	68	90	63
25AUFA	250	371	352	150	290	70	90	65

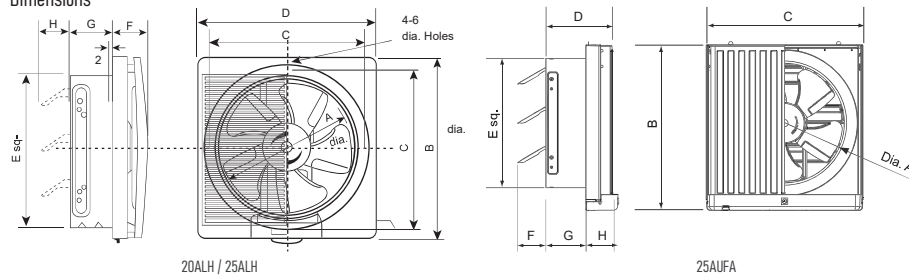


20ALH / 25ALH



25AUFA (Raku-Raku®)

## Dimensions



# Wall Mounted Ventilating Fans



## Features

<b>Easy cleaning</b>	<b>Energy saving</b>	<b>Exhaust moisture and odour,</b> preventing mould
Excellent for <b>bathroom use</b>	<b>Easy installation</b>	Equipped with <b>full accessories</b>

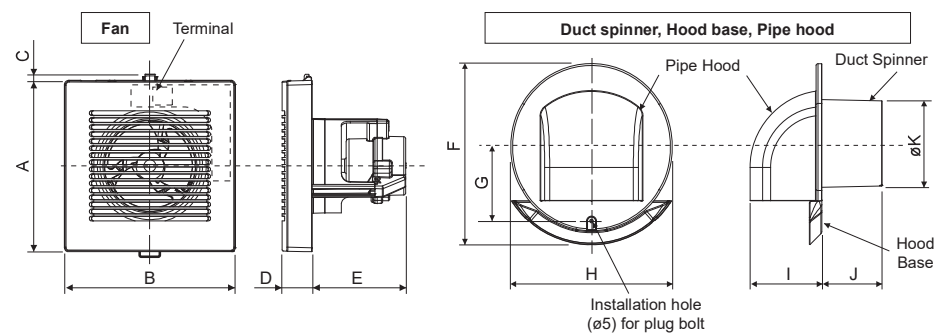
## Specifications

Model	Dimension	RPM	CFM	Motor Rating	Motor W	Motor Type	Noise Level (dB)	Nett Weight (kg)
10EGKA	4" / 10cm	2732	45	220-240V,	6.4	Capacitor Start,	33	1.20
15EGKA	6" / 15cm	2405	96	50Hz	6.9	Run Induction Motor	35	1.50

## Dimensions (mm)

Model	A	B	C	D	E	F	G	H	I	J	K	L	M	N	Installation Space
10EGKA	170	170	6	30	93	250	107	220	99	83	ø 120	ø 177	100	6 X 9.3	135 ± 5
15EGKA	220	220				310	142	270	138		ø 165	ø 221		6 X 11.5	180 ± 5

## Dimensions



10EGKA / 15EGKA

## Accessories Included



Fan



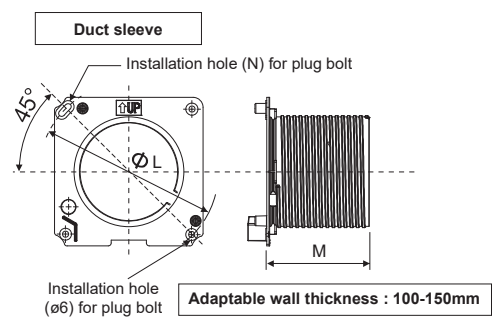
Duct Sleeve



Duct Spinner



Pipe Hood



# Ceiling Mounted Ventilating Fans



## Features

<b>Q-Blade design</b> for perfect balance and quiet operation	<b>High efficiency</b> for air flow and energy saving
<b>Ball bearing motor</b> for smoother and durable operation	Suitable for <b>commercial and residential use</b>

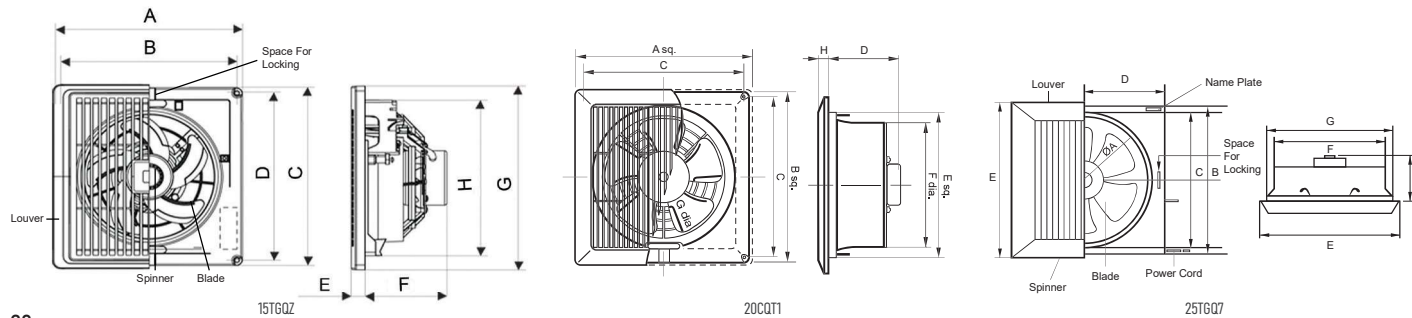
## Specifications

Model	Dimension	RPM	CFM	Motor Rating	Motor W	Motor HP	Motor Type	Noise Level (dB)	Nett Weight (kg)
15TGQZ	6" / 15cm	1330	141	220-240V, 50Hz	12	-	Condenser	35	1.20
20CQT1	8" / 20cm	1207	265		25.7	-	Condenser	41	1.80
25TGQ7	10" / 25cm	959-1172	367		24.8-30.3	0.03	4 Pole Condenser	45	1.90

## Dimensions (mm)

Model	A	B	C	D	E	F	G	H
15TGQZ	244	230	244	230	18	108	253	214
20CQT1	315	305	286	128	260	223	200	18
25TGQ7	250	355	336	177.5	365	272	310	117.5

## Dimensions





# Ceiling Mounted Sirocco Ventilating Fans

\* While stocks last



## Features

<b>Low noise</b> with the distinctive design of Resonance-Noise-Absorption structure	<b>Taper blade design</b> to achieve strong and smooth ventilating performance
<b>HP (half pitch) motor</b> with ball bearing for better durability	<b>Curve-shaped backdraft shutter</b>

## Specifications

Model	RPM	CFM	Motor Rating	Motor W	Motor Type	Noise Level (dB)	Nett Weight (kg)
17CUG	680	50	220-240V,	9.5	2 Pole Condenser	23	1.70
24CUG	530	82	50Hz	12.0	2 Pole Condenser	25	2.70

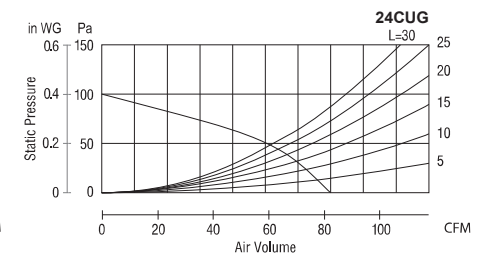
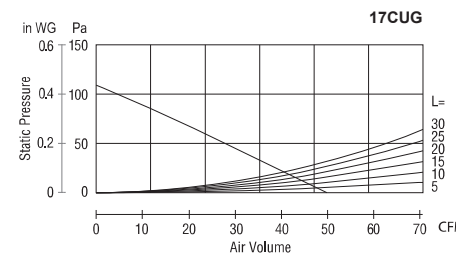
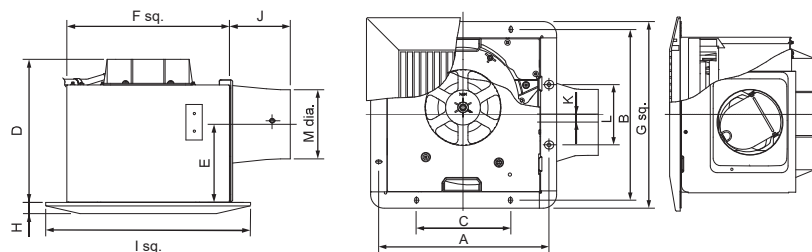
## Dimensions (mm)

Model	A	B	C	D	E	F	G	H	I	J	K	L	M	Installation Space	Applicable Pipe
17CUG	194	-	84	164	-	170	214	13	230	-	-	-	98	177 x 177	Ø 100
24CUG	255	-	140	180	-	233	278	13	300	-	-	-	98	240 x 240	Ø 100



17CUG / 24CUG

## Dimensions



L : The length of duct (m) (The diameter of duct : Ø100mm)

# Ceiling Mounted Sirocco Ventilating Fans



## Features

<b>Stylish front louver design</b>	<b>Taper blade design</b> to achieve strong and smooth ventilating performance
<b>Better durability</b> with well lubricated ball bearing type motor	<b>Reverse flow prevention shutter</b> (shutter deflection if slight, resulting in further improvement of air tightness)

## Specifications

Model	RPM	CFM	Motor Rating	Motor W	Motor Type	Noise Level (dB)	Nett Weight (kg)
17CUBM	800	53	220-240V, 50Hz	9.5	2 Pole Condenser	24	1.90
24CUBM	680	94		12	4 Pole Condenser	26	2.90
24CGBM	995	129		25.5	4 Pole Condenser	38	2.90

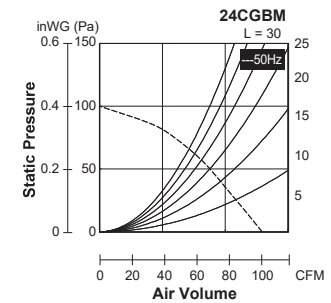
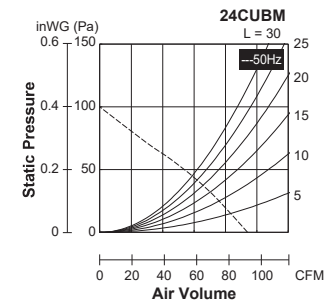
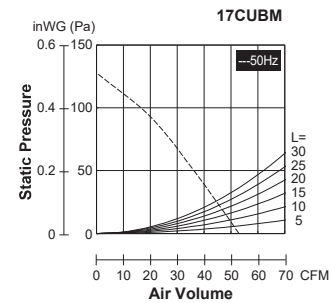
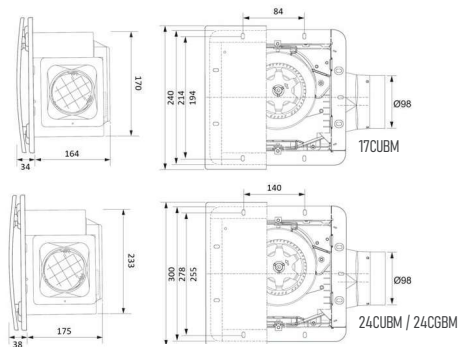
## Dimensions (mm)

Model	A	B	C	D	E	F	G	Installation Space	Applicable Pipe
17CUBM	170	164	34	84	194	214	240	177 x 177	Ø 100
24CUBM	233	175	38	140	255	278	300	240 x 240	Ø 100
24CGBM	233	175	38	140	255	278	300	240 x 240	Ø 100



17CUBM / 24CUBM / 24CGBM

## Dimensions



# Ceiling Mounted Sirocco Ventilating Fans



## Features

<b>Low noise</b> with the distinctive design of Resonance-Noise-Absorption structure	<b>Taper blade design</b> to achieve strong and smooth ventilating performance
<b>Better durability</b> with well lubricated ball bearing type motor	<b>Reverse flow prevention shutter</b> (shutter deflection if slight, resulting in further improvement of air tightness)

## Specifications

Model	RPM	CFM	Motor Rating	Motor W	Motor Type	Noise Level (dB)	Nett Weight (kg)
24CDG	790	100	220-240V, 50Hz	16.5	2 Pole Condenser	28.5	2.70
24CHG	870	118		19.5		32	2.70

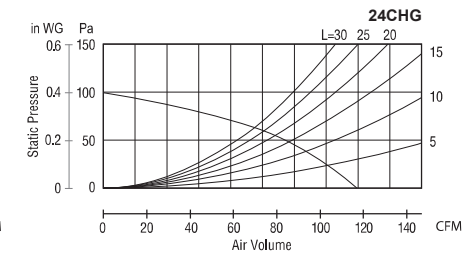
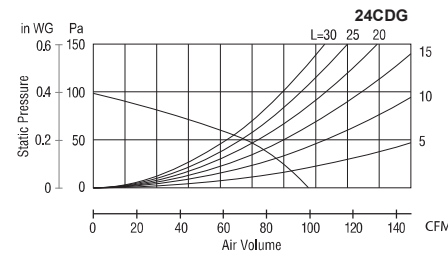
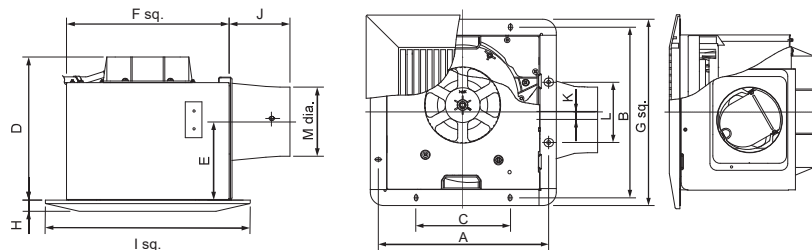
## Dimensions (mm)

Model	A	B	C	D	E	F	G	H	I	J	K	L	M	Installation Space	Applicable Pipe
24CDG 24CHG	255	-	140	180	-	233	278	13	300	-	-	-	98	240 x 240	Ø 100



24CDG / 24CHG

## Dimensions



L : The length of duct (m) (The diameter of duct : Ø100mm)

# Ceiling Mounted Sirocco Ventilating Fans



## Features

<b>Low noise</b> with the distinctive design of Resonance-Noise-Absorption structure		<b>Reverse flow prevention shutter</b> (shutter deflection if slight, resulting in further improvement of air tightness)	
<b>Taper blade design</b> to achieve strong and smooth ventilating performance		<b>Better durability</b> with well lubricated ball bearing type motor	<b>2 speed motor</b> for better convenience

## Specifications

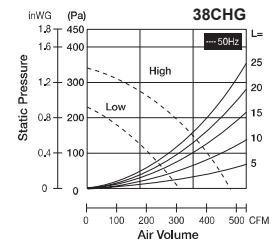
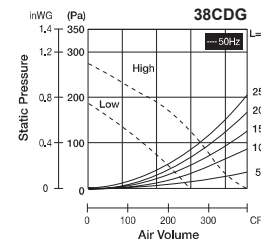
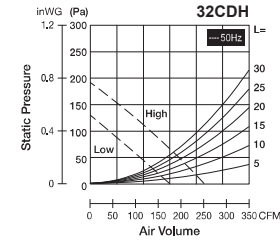
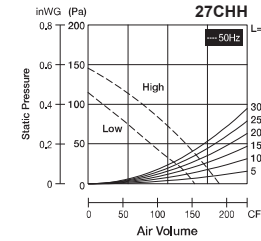
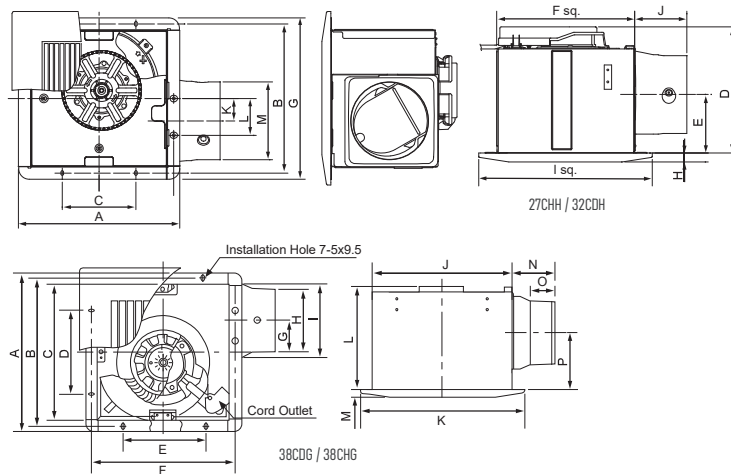
Model		RPM	CFM	Motor Rating	Motor W	Motor Type	Noise Level (dB)	Nett Weight (kg)	
27CHH	High	570	194	220 - 240V 50Hz	28	4 Pole Condenser	34	4.40	
	Low	480	163		23		30		
32CDH	High	590	253		42		36		5.20
	Low	460	177		32		28		
38CDG	High	645	377		90		44	9.70	
	Low	456	253		66		35		
38CHG	High	790	471		122		50		10.40
	Low	540	309		89		40		

27CHH / 32CDH / 38CDG / 38CHG

## Dimensions (mm)

Model	A	B	C	D	E	F	G	H	I	J	K	L	M	N	O	P	Installation Space	Applicable Pipe
27CHH	307	284	140	240	112	260	307	19	330	100	43	70	148	100	-	112	270 x 270	Ø 150
32CDH	357	334	190	240	112	310	357	19	380	100	68	70	148	100	-	112	320 x 320	Ø 150
38CDG	422	399	375	255	255	374	422	142	450	100	108	108	108	55	127	385 x 385	Ø 150	

## Dimensions



L : The length of duct (m)  
(The diameter of duct : Ø150mm)

# Industrial Ventilating Fans

\* While stocks last



## Features

To ventilate factories, warehouse, restaurant kitchen and other locations where <b>powerful ventilation</b> is necessary	<b>Large metal blade</b> assembly for abundant air volume	Powerful, efficient and <b>durable condenser motor</b>
Can be used over an ambient temperature range of <b>-10°C to +50°C</b>	Possible to <b>install horizontally</b>	Equipped with <b>automatic shutter</b>

## Specifications

Model	Dimension	RPM	CFM	Motor Rating	Motor W	Motor Type	Noise Level (dB)	Nett Weight (kg)
40KQT	16" / 40cm	1175	1212	220-240V, 50Hz	61	4 Pole Condenser	49	6.40

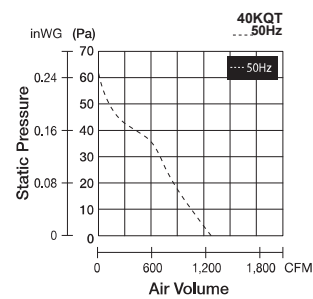
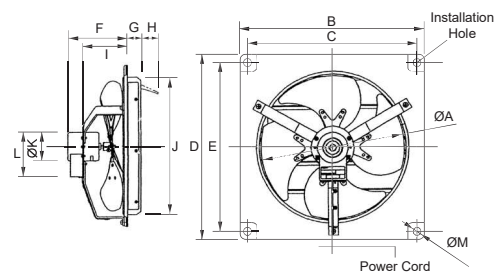
## Dimensions (mm)

Model	A	B	C	D	E	F	G	H	I	J	K	L	M
40KQT	410	510	480	510	480	181	40	52	133	434	90	141	10



40KQT

## Dimensions



# High Pressure Industrial Ventilating Fans



## Features

The **high-performance** totally enclosed condenser motor contains a thermal protector which prevents the temperature of the motor from rising abnormally

<b>A unique drain mechanism</b> discourages the ingress of water and dust into the motor, resulting in excellent durability	<b>Single Phase (Reversible)</b>	<b>Slimline design</b> for optimum space utilization, permitting installation in equipment
Can be used over an ambient temperature range of <b>-10°C to +50°C</b>	Possible to <b>install horizontally</b>	<b>Optional shutter</b> available (Refer page 38)

## Specifications

Model	Dimension	RPM	CFM	Motor Rating	Motor W	Motor Type	Noise Level (dB)	Nett Weight (kg)
<b>25GSC</b>	10" / 25cm	1360	676	240V, 50Hz	39	4 Pole Induction	34	4.40
<b>30GSC</b>	12" / 30cm	1360	1071		59		38	6.10
<b>35GSC</b>	14" / 35cm	1420	1507		88		44	10.50

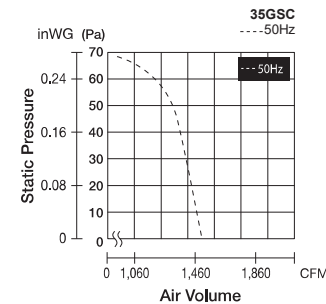
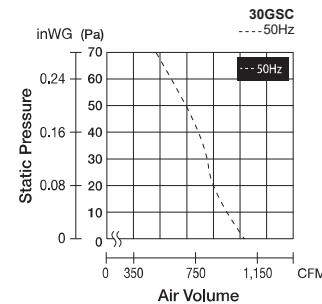
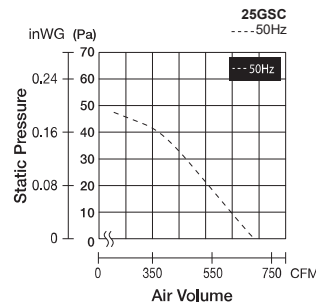
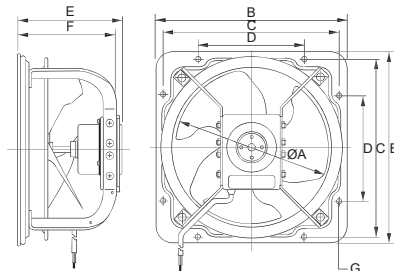
## Dimensions (mm)

Model	A	B	C	D	E	F	G
<b>25GSC</b>	250 dia.	327	298	165	171	164	10 dia.
<b>30GSC</b>	300 dia.	378	349	210	200	187	
<b>35GSC</b>	350 dia.	467	434	250	236	219	12 dia.



25GSC / 30GSC / 35GSC

## Dimensions



# High Pressure Industrial Ventilating Fans



## Features

The **high-performance** totally enclosed condenser motor contains a thermal protector which prevents the temperature of the motor from rising abnormally

<p>A <b>unique drain mechanism</b> discourages the ingress of water and dust into the motor, resulting in excellent durability</p>	<p><b>Single Phase (Reversible)</b></p>	<p><b>Slimline design</b> for optimum space utilization, permitting installation in equipment</p>
<p>Can be used over an ambient temperature range of <b>-10°C to +50°C</b></p>	<p>Possible to <b>install horizontally</b></p>	<p><b>Optional shutter</b> available (Refer page 38)</p>

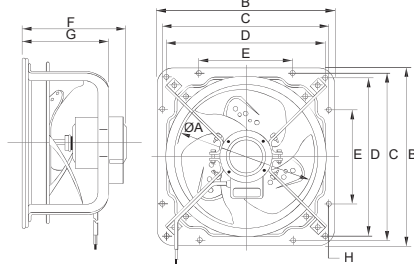
## Specifications

Model	Dimension	RPM	CFM	Motor Rating	Motor W	Motor Type	Noise Level (dB)	Nett Weight (kg)
40GSC	16" / 40cm	1450	2125	240V, 50Hz	151	4 Pole Induction	47	19.00
45GSC	18" / 45cm	1410	3061		227		51	19.00
50GSC	20" / 50cm	960	3608	6 Pole Induction	249	6 Pole Induction	47	22.50
60GSC	24" / 60cm	970	4732		245		50	34.00

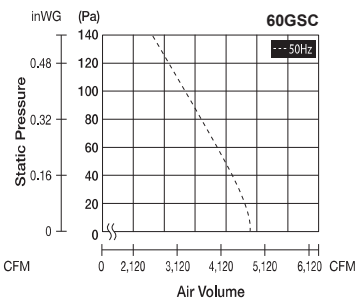
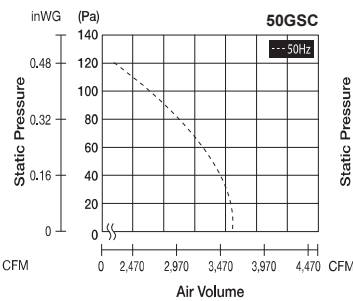
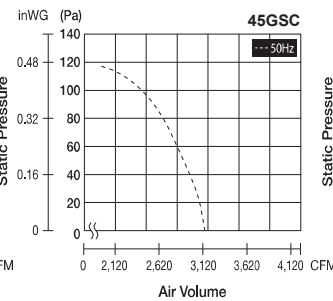
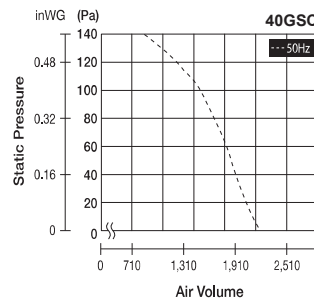
## Dimensions (mm)

Model	A	B	C	D	E	F	G	H
40GSC	400 dia.	518	485	460	280	274	225	12 dia.
45GSC	450 dia.	570	540	-	320	297	248	
50GSC	500 dia.	659	620	560	355	315	266	15 dia.
60GSC	620 dia.	720	720	650	400	320	262	

## Dimensions



40GSC / 45GSC / 50GSC / 60GSC



# High Pressure Industrial Ventilating Fans



## Features

The **high-performance** totally enclosed condenser motor contains a thermal protector which prevents the temperature of the motor from rising abnormally

<p>A <b>unique drain mechanism</b> discourages the ingress of water and dust into the motor, resulting in excellent durability</p>	<p><b>Three Phase (Reversible)</b></p>	<p><b>Slimline design</b> for optimum space utilization, permitting installation in equipment</p>
<p>Can be used over an ambient temperature range of <b>-10°C to +50°C</b></p>	<p>Possible to <b>install horizontally</b></p>	<p><b>Optional shutter</b> available (Refer page 38)</p>

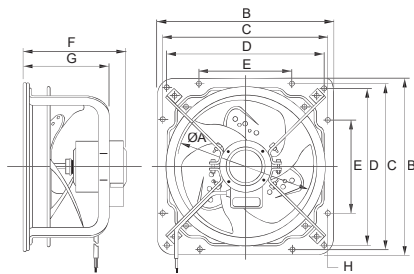
## Specifications

Model	Dimension	RPM	CFM	Motor Rating	Motor W	Motor Type	Noise Level (dB)	Nett Weight (kg)
45GTC	18" / 45cm	1450	3249	415V, 50Hz	220	4 Pole Induction	52	18.50
50GTC	20" / 50cm	1400	4097		320		54	28.50
60GTC	24" / 60cm	940	5544		310	6 Pole Induction	49	34

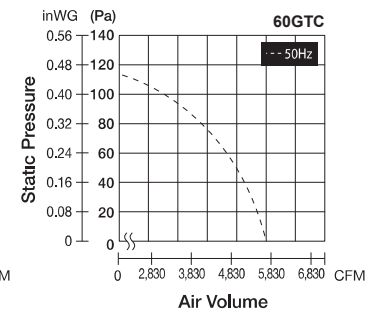
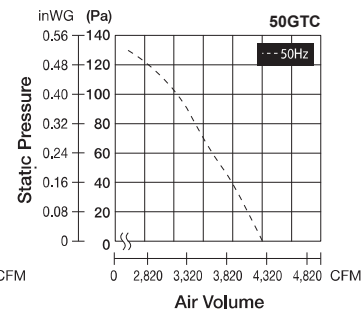
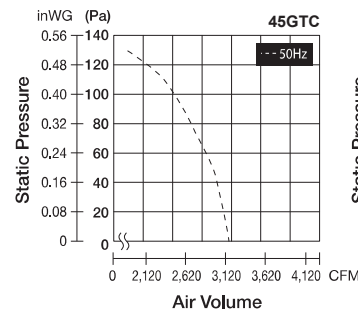
## Dimensions (mm)

Model	A	B	C	D	E	F	G	G
45GTC	450 dia.	570	540	-	320	297	248	12 dia.
50GTC	500 dia.	659	620	560	355	304	246	15 dia.
60GTC	620 dia.	760	720	650	400	320	262	

## Dimensions



45GTC / 50GTC / 60GTC





# Accessories



## Duct Cover For Ventilating Fan

<b>High Strength</b> - SUS 304 stainless steel	<b>Excellent anti-rust capability</b> - hood part coated with metallic silver paint
<b>Easy Installation</b> - spring clips facilitate duct / pipe connection	<b>Keep out ingress</b> of small particles and insects from outside

### Specifications

Model	A	B	C	D	E	Dimension of Net (mm)	Dimension of Applicable Pipe (mm)*
MGX100K	141	79	20	97	48	2.5 x 2.5	100
MGX150K	190	106	23	147	53	2.5 x 2.5	150

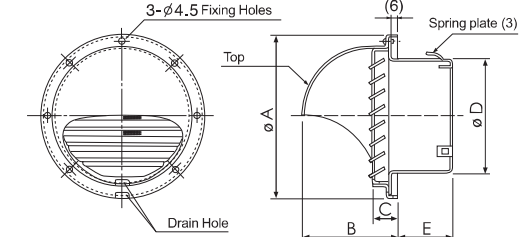
#### \* Applicable models

100mm = 17CUG, 24CUG, 24CDG, 24CHG, 17CQM, 24CQM  
150mm = 27CHH, 32CDH, 38CDG, 38CHG



MGX100K / MGX150K

### Dimensions



## Extended Fan Rod for Ceiling Fan

Equipped with full length safety wire with switch lever for <b>safety switch</b>	<b>Available upon ordering</b> (1-2 months lead time)	<b>Available in various length</b>
--	--	------------------------------------

### Specifications

(Applicable to K12V0, K15V0, K15VC, K15W0-S)

Part Number	Description
M15A0029Z2MW	Pipe Assy (30cm / 12")
SPCF2001-M	Pipe Assy (40cm / 16")
SPCF2002-M	Pipe Assy (45cm / 18")
SPCF2003-M	Pipe Assy (60cm / 24")
SPCF2004-M	Pipe Assy (75cm / 30")
SPCF2005-M	Pipe Assy (90cm / 36")
SPCF2007-M	Pipe Assy (120cm / 48")
SPCF2008-M	Pipe Assy (135cm / 54")
SPCF2009-M	Pipe Assy (150cm / 60")

### Specifications

(Applicable to K18NY Only)

Part Number	Description
KZ30PB	Pipe Assy (75cm / 30")
KZ36PB	Pipe Assy (90cm / 36")
KZ48PB	Pipe Assy (120cm / 48")
KZ60PB	Pipe Assy (150cm / 60")
KZ79PB	Pipe Assy (197.5cm / 79")

### Specifications

(Applicable to K14TE and K14QF Only)

Part Number	Description
KZ30PEMK	Pipe Assy - Dark Grey (75cm/ 30")
KZ30PEMW	Pipe Assy - White (75cm/ 30")
KZ60PEMK	Pipe Assy - Dark Grey (150cm/ 60")
KZ60PEMW	Pipe Assy - White (150cm/ 60")



Fan Rod

# Accessories



## Shutter for High Pressure Ventilating Fan

(Applicable to  
25GSC, 30GSC, 35GSC, 40GSC, 45GSC, 50GSC, 60GSC, 45GTC, 50GTC, 60GTC)

**Available upon ordering** (4-6 months lead time)

### Specifications

Model	Size	Dimension (mm)										No of Shutter
		A	B	C	D	E	F	G	H	I	J	
25GASC	25cm/ 10"	330	303	298	268	263	165	268	137	10	6	2
30GASC	30cm/ 12"	381	354	349	319	314	210	319	122	10	6	3
35GASC	35cm/ 14"	468	433	434	389	384	250	389	137	12	6	3
40GASC	40cm/ 16"	519	484	485	440	435	280	440	122	12	6	4
45GASC	45cm/ 18"	574	539	540	492	487	320	492	137	15	5	5
50GASC	50cm/ 20"	660	625	620	545	540	355	545	122	15	5	5
60GASC	60cm/ 24"	760	725	720	662	657	400	662	122	15	5	6



### Dimensions

