

NIKKON SE - HIGHBAY

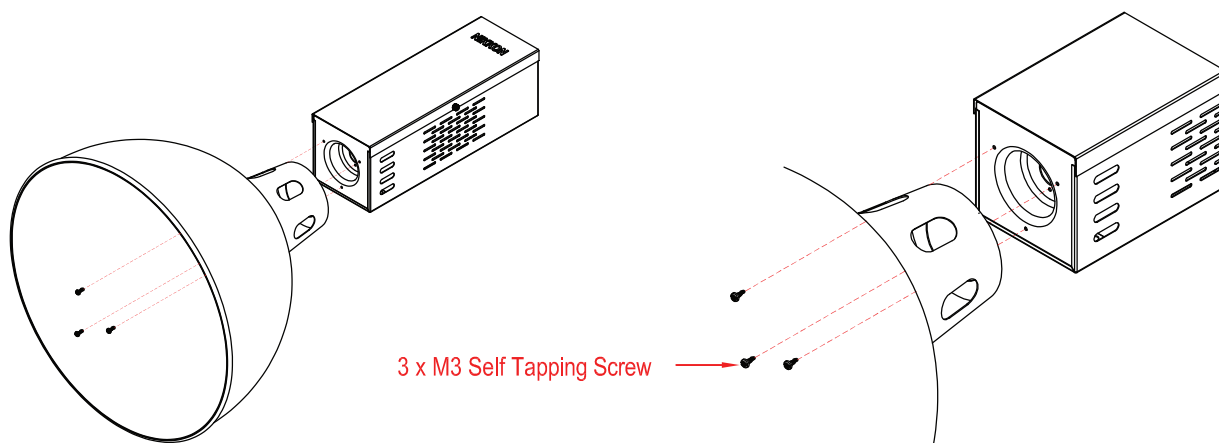


Order codes:

Casing Model	Lamp Type	Weight (kg)	Order Code
NIKKON SE	HPMV 250	4.3	NIKKON SE - H 0250
	HPMV 400	4.8	NIKKON SE - H 0400
	MH 250	4.4	NIKKON SE - M 0250
	MH 400	5.4	NIKKON SE - M 0400

Reflector	Model	Weight (kg)	Order Code
Aluminium Reflector	N412G (15")	0.4	N412G
	6407 (16")	0.4	6407
	8718 (18")	0.6	8718

Installation diagram:



Technical data:

Voltage:

- 220 ~ 240 Vac 50Hz

Lamp Wattage

- 250 ~ 400W

Holder Type

- E40 ceramic lamp holder

Color of housing

- Light grey

Features:

Control Gear Housing

- High quality cold rolled steel complete with epoxy powder coating.

Reflector

- High purity anodized polished aluminium reflector.

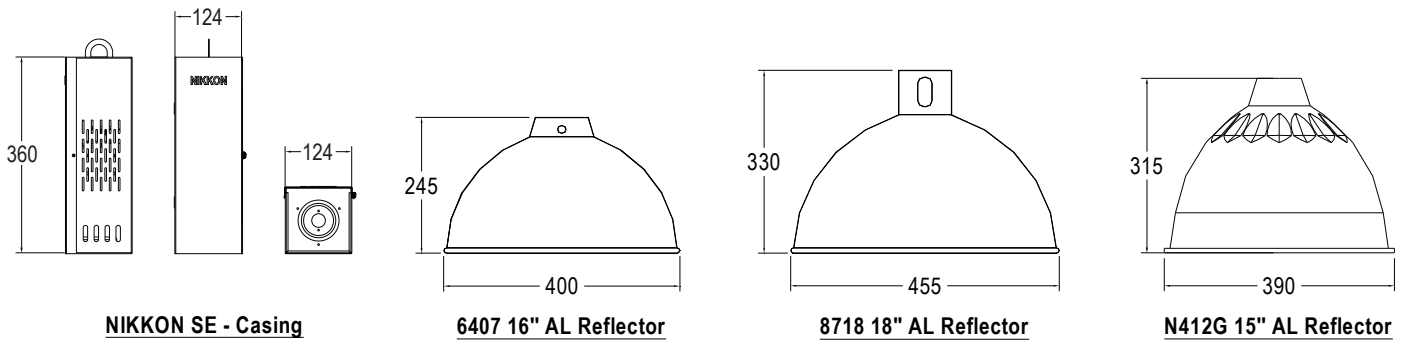
Tempered Glass

- Optional visor can be mounted onto the reflector to provide safety purpose when used in public areas.

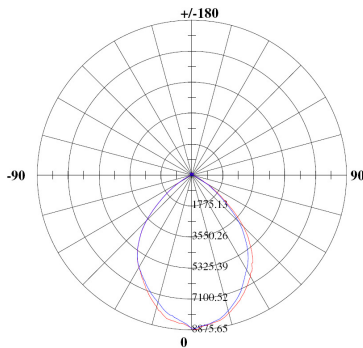
Others

- Ceramic lamp holder and thermal resistant fiber glass wire

Dimension:



Photometric curve:



NOTE: Photometric Result tested based on 24000lm HPMV 400W Coated Bulb c/w 8718 18" Aluminium Reflector

Key for standard order coding:

NIKKON SE – M - 0250 - 8718

